



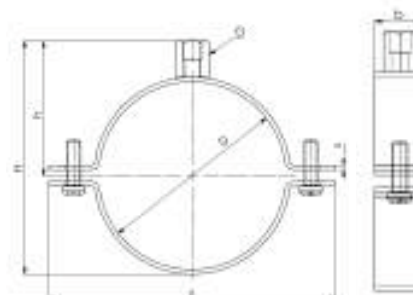
Plain Split Clamp



Features and Benefits

- lock bolts with combi cross recessed head
- for horizontal and vertical applications
- strengthened lock bolts for high load capacity
- screws secured with anti-loss washer
- material: steel
- electrogalvanized as per ASTM B 633 Standards (SC3), BS 1706 FE/ZN 12

Part No.	D (mm)	D (")	Dia (mm)	G	B (mm)	H (mm)	h (mm)	b x s (mm)	Fa,z (N)	Pack 1
DM C13 3 018	15 - 19	3/8	15	M8/10	59	30	23	20 x 2.0	2,000	600
DM C13 3 022	20 - 25	1/2	22	M8/10	66	37	26	20 x 2.0	2,000	500
DM C13 3 028	26 - 30	3/4	28	M8/10	72	43	29	20 x 2.0	2,000	400
DM C13 3 035	32 - 36	1	35	M8/10	79	50	33	20 x 2.0	2,000	350
DM C13 3 040	38 - 43	1 1/4	42	M8/10	86	57	36	20 x 2.0	2,000	300
DM C13 3 048	47 - 51	1 1/2	48	M8/10	92	63	39	20 x 2.0	2,000	250
DM C13 3 054	53 - 58	-	54	M8/10	98	69	42	20 x 2.0	2,000	250
DM C13 3 060	60 - 64	2	60	M8/10	104	75	45	20 x 2.0	2,000	200
DM C13 3 063	63 - 66	-	63	M8/10	108	72	47	20 x 2.0	2,000	200
DM C13 3 070	68 - 72	-	70	M8/10	114	85	50	20 x 2.0	2,000	150
DM C13 3 075	74 - 80	2 1/2	75	M8/10	119	90	53	20 x 2.0	2,000	150
DM C13 3 083	81 - 86	-	83	M8/10	127	98	57	20 x 2.0	2,000	125
DM C13 3 090	97 - 92	3	90	M8/10	134	105	60	20 x 2.0	2,000	125
DM C13 3 100	99 - 105	3 1/2	100	M8/10	144	115	65	20 x 2.0	2,000	100
DM C13 3 110	107 - 112	-	110	M8/10	164	125	70	20 x 2.0	2,000	100
DM C13 3 115	113 - 118	4	115	M8/10	159	130	73	20 x 2.0	2,000	90
DM C13 3 125	125 - 130	-	125	M8/10	169	140	78	20 x 2.0	2,000	75
DM C13 3 133	131 - 137	-	133	M8/10	177	148	82	20 x 2.0	2,000	75
DM C13 3 140	137 - 142	5	140	M8/10	184	155	85	20 x 2.5	3,000	75
DM C13 3 150	148 - 153	-	150	M8/10	194	165	90	20 x 2.5	3,000	60
DM C13 3 160	159 - 166	-	160	M8/10	204	175	95	25 x 2.5	3,000	60
DM C13 3 168	168 - 172	6	168	M8/10	212	183	99	25 x 2.5	3,000	60
DM C13 3 200	200 - 212	-	200	M8/10	244	215	115	25 x 2.5	3,000	60
DM C13 3 220	215 - 220	8	200	M8/10	264	235	125	25 x 2.5	3,000	50
DM C13 3 250	248 - 252	-	250	M8/10	294	265	140	25 x 2.5	3,000	50
DM C13 3 315	313 - 318	-	315	M8/10	359	330	173	25 x 2.5	3,000	40



Hot Dip Galvanized and Stainless Steel option available on request.
 With connection size M10/12 available on request.
 With M6 Slide Nuts available on request.

Subject to modifications

BIS Heavy Duty Clamp HD500 (BUP1000)

for steel pipes Ø 19 - 227 mm

M8/10

M10/12



Features and Benefits

- two-part clamp with two locking bolts
- up to and including 5": locking nut is captive, hidden in plastic holder
- heavy design
- bolts secured with anti-loss washer
- with CO₂ welded connection nut
- material: steel
- also available: noise insulating lining of silicone rubber (reddish brown), heat resistant up to +200 °C (A 35 15)
- surface protection:
 - product is part of the BIS UltraProtect® 1000 system
 - suitable for in- and outdoor applications
 - stands min. 1,000 hours salt spray test (max. 5% red rust) according to ISO 9227
 - tested for fire safety

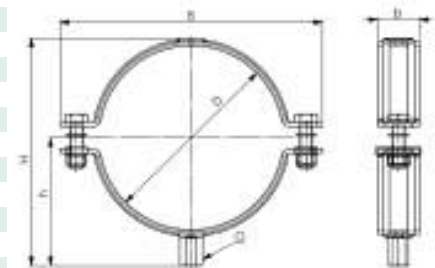


RAL-GZ 655/B
Cert Nr 2011 13a



RAL-GZ 656
Cert Nr 2011 05

Part No.	D (mm)	D (")	DN (mm)	G	B (mm)	H (mm)	h (mm)	b x s (mm)	Fa,z (N)	RAL	Pack 1
3303 8 019	15 - 19	3/8	10	M8/10	75	46	32	30 x 2,5	2,100	RAL ²	25
3303 8 023	19 - 23	1/2	15	M8/10	78	50	34	30 x 2,5	2,100	RAL ²	25
3303 8 030	25 - 30	3/4	20	M8/10	84	57	38	30 x 2,5	2,100	RAL ²	25
3303 8 036	31 - 36	1	25	M8/10	91	63	41	30 x 2,5	2,100	RAL ²	25
3303 8 042	37 - 42	-	-	M8/10	98	69	44	30 x 2,5	2,100	RAL ²	25
3303 8 045	40 - 45	1 1/4	32	M8/10	101	72	45	30 x 2,5	2,100	RAL ²	25
3303 8 052	47 - 52	1 1/2	40	M8/10	109	79	49	30 x 2,5	2,100	RAL ²	25
3303 8 058	53 - 58	-	-	M8/10	115	85	52	30 x 2,5	2,100	RAL ²	25
3303 8 065	59 - 65	2	50	M8/10	122	92	55	30 x 2,5	2,100	RAL ²	25
3303 8 071	66 - 71	-	-	M8/10	129	98	58	30 x 2,5	2,100	RAL ²	25
3304 8 078	72 - 78	2 1/2	65	M10/12	136	115	70	30 x 3,0	4,000	RAL ²	25
3304 8 085	79 - 85	-	-	M10/12	144	122	75	30 x 3,0	4,000	RAL ²	25
3304 8 092	86 - 92	3	80	M10/12	152	129	78	30 x 3,0	4,000	RAL ²	25
3304 8 106	98 - 106	-	-	M10/12	165	143	85	30 x 3,0	4,000	RAL ²	25
3304 8 116	108 - 116	4	100	M10/12	175	153	90	30 x 3,0	4,000	RAL ²	25
3304 8 123	116 - 123	-	-	M10/12	182	160	94	30 x 3,0	4,000	RAL ²	25
3304 8 133	125 - 133	-	-	M10/12	193	170	99	30 x 3,0	4,000	RAL ²	25
3304 8 140	132 - 140	5	125	M10/12	200	177	102	30 x 3,0	4,000	RAL ²	25
3304 8 154	148 - 154	-	-	M10/12	215	191	109	30 x 3,0	4,000	RAL ²	15
3304 8 169	159 - 169	6	150	M10/12	240	207	117	38 x 4,0	8,200	RAL ²	15
3304 8 183	173 - 183	-	-	M10/12	254	221	124	38 x 4,0	8,200	RAL ²	15
3304 8 202	192 - 202	-	-	M10/12	274	240	133	38 x 4,0	8,200	RAL ²	15
3304 8 219	208 - 219	-	-	M10/12	290	256	141	38 x 4,0	8,200	RAL ²	15
3304 8 227	217 - 227	8	200	M10/12	299	265	146	38 x 4,0	8,200	RAL ²	2



RAL² = tested, certified and externally monitored according to RAL-GZ 655/B and RAL-GZ 656.
For detailed technical information about our RAL marked products, please see the RAL datasheet in our webcatalogue: www.walraven.com/gb/en/catalogue/.



BIS Heavy Duty Clamp HD500 (BUP1000)

for steel pipes Ø 217 - 509 mm

M16



Features and Benefits

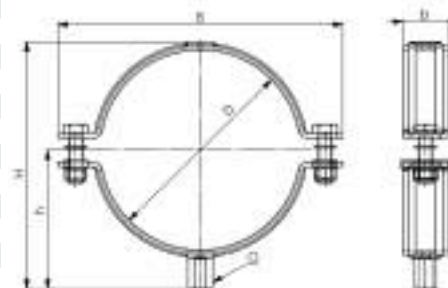
- two-part clamp with two locking bolts
- heavy design
- bolts secured with anti-loss washer
- with CO₂ welded connection nut
- material: steel
- also available: noise insulating lining of silicone rubber (reddish brown), heat resistant up to +200 °C (A 35 15)
- surface protection:
 - product is part of the BIS UltraProtect® 1000 system
 - suitable for in- and outdoor applications
 - stands min. 1,000 hours salt spray test (max. 5% red rust) according to ISO 9227
- tested for fire safety



RAL-GZ 655/B
Cert.Nr. 2011-13a

Part No.	D (mm)	D (")	DN (mm)	G	B (mm)	H (mm)	h (mm)	b x s (mm)	Fa,z RAL (N)	Pack 1
3306 8 169	159 - 169	6	150	M16	241	193	103	38 x 4,0	8.200 RAL ¹	2
3306 8 183	173 - 183	-	-	M16	255	207	110	38 x 4,0	8.200 RAL ¹	2
3306 8 202	192 - 202	-	-	M16	274	226	130	38 x 4,0	8.200 RAL ¹	2
3306 8 227	217 - 227	8	200	M16	299	263	144	38 x 4,0	8.200 RAL ¹	2
3306 8 241	229 - 241	-	-	M16	322	277	151	38 x 4,0	8.200 RAL ¹	2
3306 8 254	244 - 254	-	-	M16	335	290	158	38 x 4,0	8.200 RAL ¹	2
3306 8 264	254 - 264	-	-	M16	345	300	163	38 x 4,0	8.200 RAL ¹	2
3306 8 279	267 - 279	10	250	M16	360	315	170	38 x 4,0	8.200 RAL ¹	2
3306 8 289	279 - 289	-	-	M16	367	324	175	48 x 5,0	12.000 RAL ¹	2
3306 8 302	292 - 302	-	-	M16	380	337	181	48 x 5,0	12.000 RAL ¹	2
3306 8 325	315 - 325	12	300	M16	403	358	193	48 x 5,0	12.000 RAL ¹	2
3306 8 360	350 - 360	14	350	M16	439	395	210	48 x 5,0	12.000 RAL ¹	2
3306 8 374	364 - 374	-	-	M16	453	409	217	48 x 5,0	12.000 RAL ¹	2
3306 8 389	379 - 389	-	-	M16	468	424	225	48 x 5,0	12.000 RAL ¹	2
3306 8 408	398 - 408	16	400	M16	487	443	234	48 x 5,0	12.000 RAL ¹	2
3306 8 418	408 - 418	-	-	M16	498	441	227	48 x 5,0	12.000 RAL ¹	2
3306 8 436	424 - 436	-	-	M16	515	471	248	48 x 5,0	12.000 RAL ¹	2
3306 8 458	448 - 458	18	450	M16	537	493	259	48 x 5,0	12.000 RAL ¹	2
3306 8 509	499 - 509	20	500	M16	588	544	285	48 x 5,0	12.000 RAL ¹	2

RAL¹ = tested, certified and externally monitored according to RAL-GZ 655/B.
For detailed technical information about our RAL marked products, please see the RAL datasheet in our webcatalogue: www.walraven.com/gb/en/catalogue/.



Subject to modifications

Sprinkler Clamp



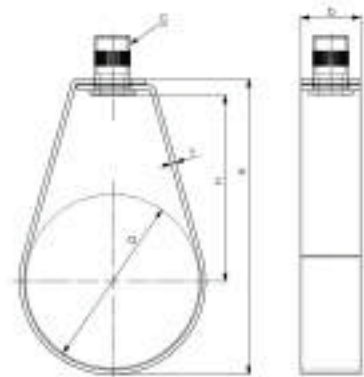
Features and Benefits

- for use in fire fighting and sprinkler installations
- easy to install, without tools
- high load capacity due to one piece design
- knurled swivel nut allows vertical pipe alignment during and after installation
- locking device allows easy pre-mounting
- material: steel
- pregalvanized as per ASTM A 653 G90
- designed to meet MSS Standard SP-58, type 10 and SP-69



Part No.	D (mm)	D (")	G	h (mm)	b x s (mm)	Fa,z Appr. (N)	Pack 1
DM C11 7 028	28	3/4	M10	61	20 x 1.5	3,000 FM, UL	400
DM C11 7 035	35	1	M10	61	20 x 1.5	3,000 FM, UL	300
DM C11 7 040	42	1 1/4	M10	75	20 x 1.5	3,000 FM, UL	250
DM C11 7 048	48	1 1/2	M10	81	20 x 1.5	3,000 FM, UL	200
DM C11 7 060	60	2	M10	100	20 x 1.5	3,000 FM, UL	180
DM C11 7 075	73	2 1/2	M10	120	32 x 2.0	4,500 FM, UL	75
DM C11 7 090	89	3	M10	135	32 x 2.0	4,500 FM, UL	60
DM C11 7 100	105	3 1/2	M10	150	32 x 2.0	4,500 FM, UL	40
DM C11 7 115	115	4	M10	165	32 x 2.5	5,500 FM, UL	40
DM C11 7 140	140	5	M12	195	40 x 2.5	6,500 FM, UL	25
DM C11 7 168	168	6	M12	230	40 x 3.0	7,500 FM, UL	20
DM C11 7 219	219	8	M12	290	50 x 3.0	9,000 FM, UL	10
DM C11 7 273	273	10	M12	315	50 x 3.0	9,000 -	8

Made in UAE.





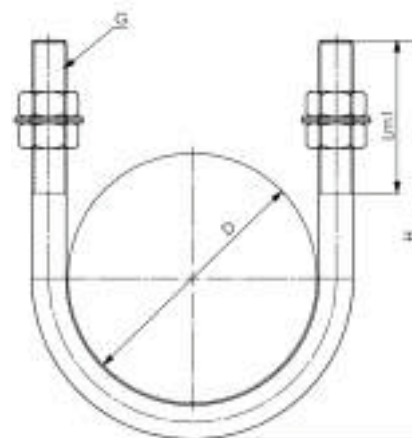
U Bolt



Features and Benefits

- high load capacity due to one piece design
- supplied with four nuts and two washes
- material: steel
- electrogalvanized as per ASTM B 633 Standards (SC3), BS 1706 FE/ZN 12
- designed to meet MSS Standard SP-58, type 24 and SP-69
- special U bolts with longer tangents and threads available on request

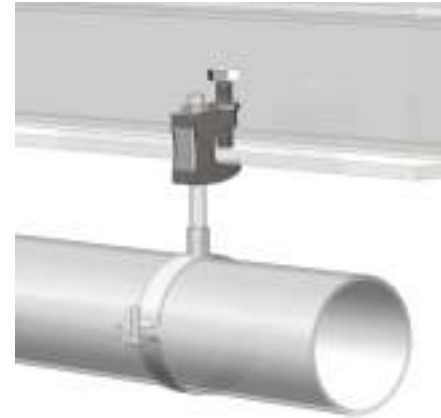
Part No.	D (mm)	D (")	G	H (mm)	Lm1 (mm)	Fa,z (N)	Pack 1
DM C14 4 022	21	1/2	M10	65	50	6,000	250
DM C14 4 028	27	3/4	M10	77	50	6,000	200
DM C14 4 035	34	1	M10	85	50	6,000	200
DM C14 4 042	43	1 1/4	M10	93	50	6,000	175
DM C14 4 048	48	1 1/2	M10	100	50	6,000	150
DM C14 4 060	60	2	M10	110	50	6,000	150
DM C14 4 075	76	2 1/2	M12	127	50	10,000	100
DM C14 4 090	89	3	M12	140	50	10,000	75
DM C14 4 115	115	4	M12	165	50	10,000	75
DM C14 4 140	140	5	M12	190	50	10,000	70
DM C14 4 168	168	6	M12	220	50	10,000	50
DM C14 4 219	219	8	M16	295	75	20,000	20
DM C14 4 273	273	10	M20	370	100	32,500	10
DM C14 4 324	324	12	M20	420	100	32,500	10
DM C14 4 356	356	14	M20	455	100	32,500	10
DM C14 4 406	406	16	M20	505	100	32,500	10
DM C14 4 457	457	18	M24	555	100	45,000	5
DM C14 4 508	508	20	M24	605	100	45,000	5
DM C14 4 610	610	24	M24	710	100	45,000	5



Hot Dip Galvanized option available on request.
 Sizes of the U Bolts can be modified to be used with rubber support inserts.
 Alternate rod sizes for different pipe sizes available on request.

Subject to modifications

Girder Clamp

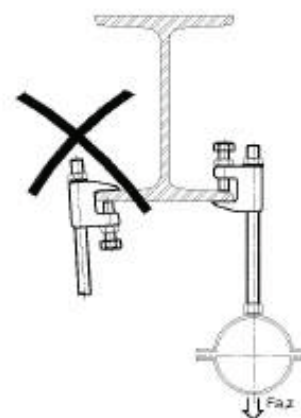
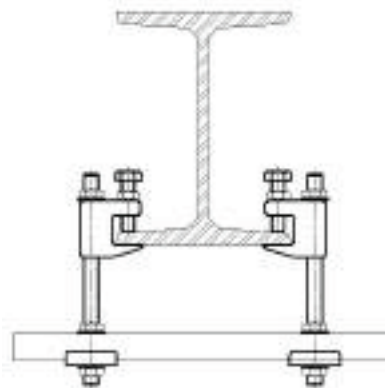
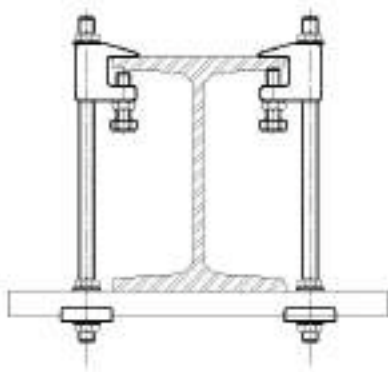
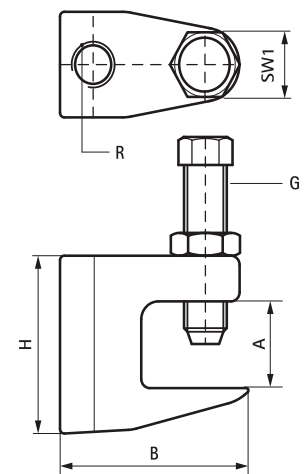


Features and Benefits

- for sprinkler systems, heating, ventilation and air conditioning, acoustic tubes and sanitary installations
- hexagon threaded head screw DIN938 8.8
- threaded with Cup Point (RS) according to EN ISO 4753 and lock nut
- Material:
 - body : cast iron
 - bolt: hardened steel
 - nut: steel zinc plated
- zinc plated casting tolerance according to DIN 1684 GTA/17
- for a solid fixing to steel connections upto 22mm flange thickness without welding or drilling.

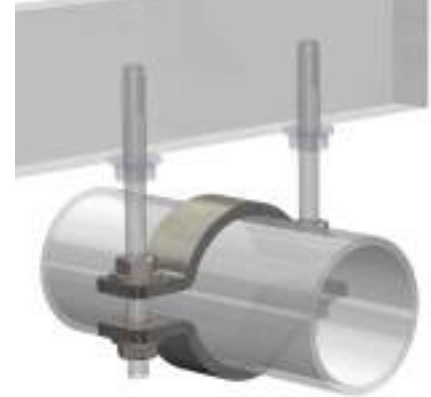


Part No.	A (mm)	R	G	B (mm)	H (mm)	Fa,z (N)	Pack 1
DMC 1 998	18	M8	M8	35	35	1,200	50
DMC 1 9 910	20	M10	M10	41	42	2,500	50
DMC 1 9 912	26	M12	M10	48	54	3,500	50
DMC 1 9 916	28	M16	M12	55	58	5,500	12





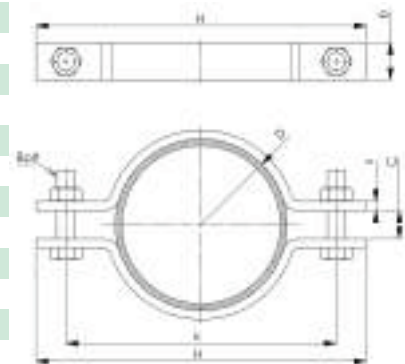
Two Bolt Clamp



Features and Benefits

- designed to act as a horizontal support for heavier pipes
- two bolt arrangement provides sturdier support
- material: steel
- electrogalvanized as per ASTM B 633 Standards (SC3), BS 1706 FE/ZN 12
- designed to meet MSS Standard SP-58-2002, type 4 and SP-69

Part No.	D (")	Bolt	bxs (mm)	k (mm)	H (mm)	C (mm)	Fa,z (N)	Pack 1
DMC211 022	1/2"	M10	25x5.0	68	97	12	1,700	60
DMC211 028	3/4"	M10	25x5.0	76	105	12	1,700	60
DMC211 035	1	M10	25x5.0	84	113	12	1,700	50
DMC 211 040	1-1/4"	M10	25x5.0	92	121	12	1,700	50
DMC211 048	1-1/2"	M10	25x5.0	98	127	12	1,700	40
DMC211 060	2"	M10	25x5.0	116	156	16	1,700	35
DMC211 075	2-1/2"	M12	25x6.0	142	182	16	4,000	35
DMC211 090	3"	M12	25x6.0	156	196	16	4,000	30
DMC211 100	3-1/2"	M12	25x6.0	168	208	16	4,000	30
DMC211 115	4"	M12	25x6.0	180	220	19	4,000	25
DMC211 140	5"	M16	40x6.0	214	252	19	6,000	20
DMC211 168	6"	M16	40x6.0	242	290	22	6,000	15
DMC211 220	8"	M16	40x9.0	152	352	25	11,000	10
DMC211 273	10"	M16	50x9.0	358	406	25	12,000	5
DMC211 323	12"	M20	50x12.0	430	490	25	15,000	4
DMC211 355	14"	M20	50x12.0	480	546	28	15,000	4
DMC211 406	16"	M20	60x16.0	532	597	28	22,000	2
DMC211 457	18"	M20	60x16.0	610	686	32	22,000	2
DMC211 508	20"	M20	60x16.0	680	776	35	22,000	1
DMC211 610	24"	M20	60x16.0	780	876	42	22,000	1



Hot Dip Galvanized and Stainless Steel option available on request.

Subject to modifications

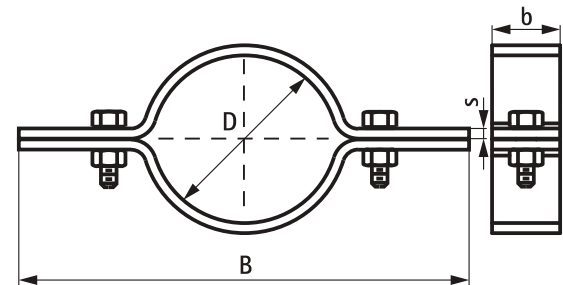
Riser Clamp



Features and Benefits

- designed to act as a rigid support or guide for vertical pipes
- suitable for use with all types of pipes
- material: steel
- electrogalvanized as per ASTM B 633 Standards (SC3), BS 1706 FE/ZN 12
- designed to meet MSS Standard SP-58-2002, type 8 and SP-69

Part No.	D (")	Bolt	B (mm)	b x s (mm)	Fa,z (N)	Pack 1
DM C11 1 022	1/2	M10	200	25 x 5.0	1,700	60
DM C11 1 028	3/4	M10	210	25 x 5.0	1,700	60
DM C11 1 035	1	M10	230	25 x 5.0	1,700	50
DM C11 1 040	1 1/4	M10	260	25 x 5.0	1,700	50
DM C11 1 048	1 1/2	M10	260	25 x 5.0	1,700	40
DM C11 1 060	2	M10	260	25 x 5.0	1,700	35
DM C11 1 075	2 1/2	M12	290	25 x 6.0	4,000	35
DM C11 1 090	3	M12	290	25 x 6.0	4,000	30
DM C11 1 100	3 1/2	M12	330	25 x 6.0	4,000	30
DM C11 1 115	4	M12	330	25 x 6.0	4,000	25
DM C11 1 140	5	M16	350	40 x 6.0	6,000	20
DM C11 1 168	6	M16	380	40 x 6.0	6,000	15
DM C11 1 220	8	M16	470	40 x 10.0	11,000	10
DM C11 1 273	10	M16	520	50 x 10	12,000	5
DM C11 1 323	12	M20	580	50 x 12.0	15,000	4
DM C11 1 355	14	M20	610	50 x 12.0	15,000	4
DM C11 1 406	16	M20	660	60 x 16.0	22,000	2
DM C11 1 457	18	M20	710	60 x 16.0	22,000	2
DM C11 1 508	20	M20	760	60 x 16.0	22,000	1
DM C11 1 610	24	M20	880	60 x 16.0	22,000	1



Hot Dip Galvanized and Stainless Steel option available on request.

B BIS Metal Pipe Clamps

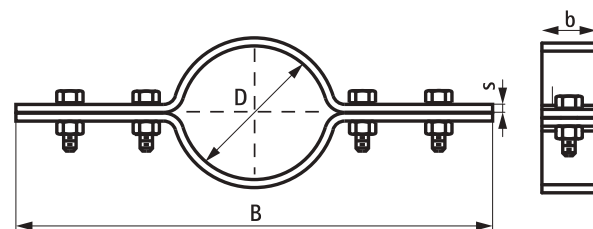
Two Bolt Riser Clamp



Features and Benefits

- designed to act as a rigid support or guide for vertical pipes
- suitable for use with all types of pipes
- material: steel
- electrogalvanized as per ASTM B 633 Standards (SC3), BS 1706 FE/ZN 12
- designed to meet MSS Standard SP-58-2002, type 42

Part No.	D (")	Bolt	B (mm)	b x s (mm)	Fa,z (N)	Pack 1
DM C11 3 022	1/2	M10	200	25 x 2.5	1,700	60
DM C11 3 028	3/4	M10	210	25 x 5.0	1,700	60
DM C11 3 035	1	M10	230	25 x 5.0	1,700	50
DM C11 3 040	1 1/4	M10	260	25 x 5.0	1,700	50
DM C11 3 048	1 1/2	M10	260	25 x 5.0	1,700	40
DM C11 3 060	2	M10	260	25 x 5.0	1,700	35
DM C11 3 075	2 1/2	M12	290	25 x 6.0	4,000	35
DM C11 3 090	3	M12	290	25 x 6.0	4,000	30
DM C11 3 100	3 1/2	M12	330	25 x 6.0	4,000	30
DM C11 3 115	4	M12	330	25 x 6.0	4,000	25
DM C11 3 140	5	M16	350	40 x 6.0	6,000	20
DM C11 3 168	6	M16	380	40 x 6.0	6,000	15
DM C11 3 220	8	M16	470	40 x 9.0	11,000	10
DM C11 3 273	10	M16	520	50 x 9.0	12,000	5
DM C11 3 323	12	M20	580	50 x 12.0	15,000	4
DM C11 3 355	14	M20	610	50 x 12.0	15,000	4
DM C11 3 406	16	M20	660	60 x 16.0	22,000	2
DM C11 3 457	18	M20	710	60 x 16.0	22,000	2
DM C11 3 508	20	M20	760	60 x 16.0	22,000	1
DM C11 3 510	24	M20	880	60 x 16.0	22,000	1



Hot Dip Galvanized and Stainless Steel option available on request.

Subject to modifications

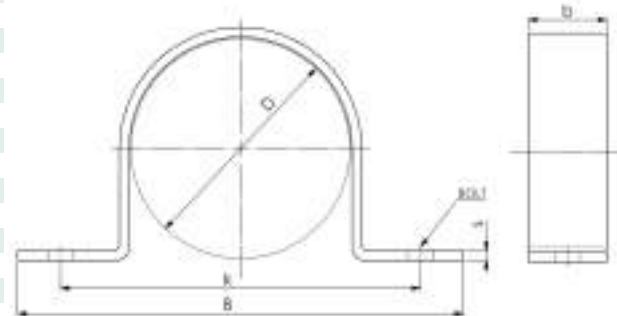
U-Strap Clamp



Features and Benefits

- for mounting plain or insulated pipes
- can be used with Rubber Support Inserts
- slotted holes on both sides allow convenient installation
- material: steel
- electrogalvanized as per ASTM B 633 Standards (SC3), BS 1706 FE/ZN 12
- designed to meet MSS Standard SP-58, type 26 and SP-69

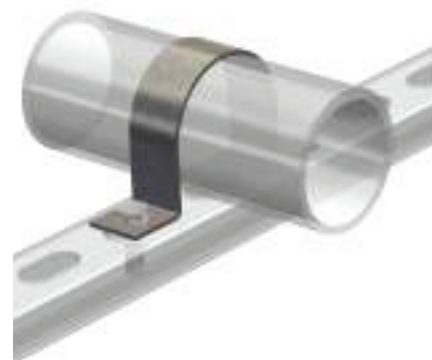
Part No.	D (mm)	D (")	Bolt	B (mm)	b x s (mm)	k (mm)	Fa,z (N)	Pack 1
DM C15 5 022	22	1/2	M8	76	25 x 2.0	51	5,500	500
DM C15 5 028	28	3/4	M8	82	25 x 2.0	57	5,500	400
DM C15 5 035	35	1	M8	89	25 x 2.0	64	5,500	400
DM C15 5 040	42	1 1/4	M8	96	25 x 2.0	71	5,500	350
DM C15 5 048	48	1 1/2	M8	102	25 x 2.0	77	5,500	300
DM C15 5 054	54	-	M8	108	25 x 2.0	83	5,500	250
DM C15 5 060	60	2	M8	114	25 x 2.0	89	5,500	200
DM C15 5 067	67	-	M8	121	25 x 2.0	96	5,500	200
DM C15 5 075	75	2 1/2	M8	145	25 x 3.0	113	6,500	150
DM C15 5 082	82	-	M8	152	25 x 3.0	120	6,500	150
DM C15 5 090	90	3	M8	160	25 x 3.0	128	6,500	150
DM C15 5 100	100	3 1/2	M8	170	25 x 3.0	138	6,500	150
DM C15 5 108	108	-	M8	178	25 x 3.0	146	6,500	125
DM C15 5 115	115	4	M8	185	25 x 3.0	153	6,500	125
DM C15 5 126	126	-	M10	196	25 x 3.0	164	6,500	125
DM C15 5 140	140	5	M10	210	25 x 3.0	178	6,500	100
DM C15 5 148	148	-	M10	218	28 x 3.0	186	6,500	100
DM C15 5 155	155	-	M10	225	25 x 3.0	193	6,500	100
DM C15 5 168	168	6	M10	237	25 x 3.0	205	6,500	100
DM C15 5 179	179	-	M10	249	25 x 3.0	217	6,500	100
DM C15 5 190	190	-	M10	260	38 x 3.0	228	9,000	50
DM C15 5 205	205	-	M10	275	38 x 3.0	243	9,000	50
DM C15 5 219	219	8	M10	289	38 x 3.0	257	9,000	50
DM C15 5 230	230	-	M10	300	38 x 3.0	268	9,000	30



Other dimensions available on request.
 Sizes of U Strap can be modified to be used with Rubber Support Inserts.
 Hot Dip Galvanized and Stainless Steel option available on request,



U-Strap Clamp

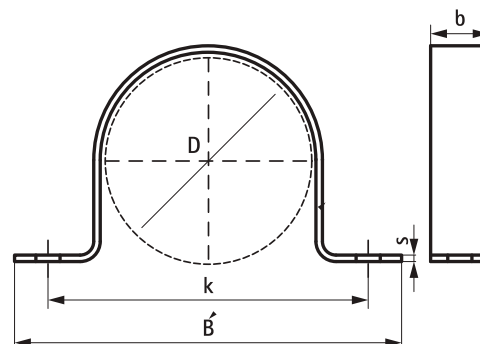


Features and Benefits

- for mounting plain or insulated pipes
- can be used with Rubber Support Inserts
- slotted hole same as used u strap
- material: steel
- electrogalvanized as per ASTM B 633 Standards (SC3), BS 1706 FE/ZN 12
- designed to meet MSS Standard SP-58, type 26 and SP-69

Part No.	D (mm)	D (")	Bolt	B (mm)	b x s (mm)	k (mm)	Fa,z (N)	Pack 1
DM C15 5 241	241	-	M12	332	38 x 4.0	291	13,500	35
DM C15 5 263	263	-	M12	354	38 x 4.0	313	13,500	35
DM C15 5 273	273	10	M18	364	38 x 4.0	323	13,500	35
DM C15 5 295	295	-	M18	386	38 x 4.0	345	13,500	30
DM C15 5 323	323	12	M18	414	38 x 4.0	373	13,500	30
DM C15 5 356	356	14	M18	447	50 x 4.0	406	19,000	10
DM C15 5 374	374	-	M18	465	50 x 4.0	424	19,000	15
DM C15 5 406	406	16	M18	497	50 x 4.0	456	19,000	15
DM C15 5 432	432	-	M18	523	50 x 4.0	482	19,000	15
DM C15 5 456	456	18	M18	547	50 x 4.0	506	19,000	10
DM C15 5 482	482	-	M18	573	50 x 4.0	532	19,000	10
DM C15 5 508	508	20	M18	599	50 x 4.0	558	19,000	10
DM C15 5 533	533	-	M18	624	50 x 4.0	583	19,000	10
DM C15 5 559	559	-	M18	650	50 x 4.0	609	19,000	10
DM C15 5 583	583	-	M18	674	50 x 4.0	633	19,000	10
DM C15 5 610	610	24	M18	701	50 x 4.0	660	19,000	10
DM C15 5 658	658	-	M18	766	50 x 6.0	718	24,000	5
DM C15 5 690	690	-	M18	798	50 x 6.0	750	24,000	5
DM C15 5 760	760	-	M18	868	50 x 6.0	820	24,000	5
DM C15 5 863	863	-	M18	971	50 x 6.0	923	24,000	5
DM C15 5 918	918	-	M18	1,026	50 x 6.0	978	24,000	5

Other dimensions available on request.
 Sizes of U Strap can be modified to be used with Rubber Support Inserts.
 Hot Dip Galvanized and Stainless Steel option available on request.



Subject to modifications

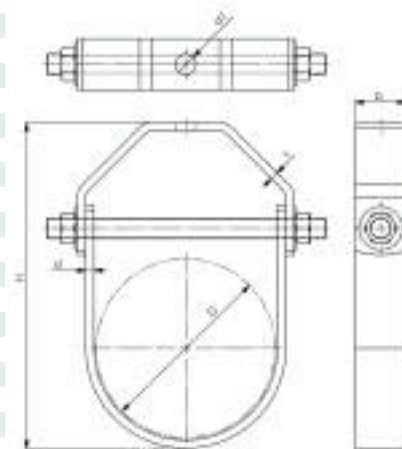
Clevis Hanger



Features and Benefits

- designed for chilled water pipe work and fire fighting systems
- design permits vertical adjustment of pipe after installation
- hanger load nut above clevis must be tightened securely to ensure proper hanger performance
- material: steel
- electrogalvanized as per ASTM B 633 Standards (SC3), BS 1706 FE/ZN 12
- designed to meet MSS Standard SP-58, type 1 and SP-69

Part No.	D (mm)	D (")	Bolt	H (mm)	b (mm)	s (mm)	s1 (mm)	d1 (mm)	Fa,z Appr. (N)	Pack 1
DM C12 2 022	22	1/2	M8 x 60 mm	70	25	3.0	3.0	10	4,000 FM, UL	125 *
DM C12 2 028	28	3/4	M8 x 68 mm	76	25	3.0	3.0	10	4,000 FM, UL	125 *
DM C12 2 035	35	1	M8 x 78 mm	82	25	3.0	3.0	10	4,000 FM, UL	125 *
DM C12 2 040	42	1 1/4	M8 x 82 mm	92	25	3.0	3.0	10	4,000 FM, UL	125 *
DM C12 2 048	48	1 1/2	M8 x 88 mm	100	25	3.0	3.0	10	4,000 FM, UL	100 *
DM C12 2 060	60	2	M10 x 110 mm	117	25	3.0	3.0	10	4,000 FM, UL	75 *
DM C12 2 075	73	2 1/2	M10 x 125 mm	146	25	4.0	4.0	10	6,500 FM, UL	60 *
DM C12 2 090	89	3	M10 x 140 mm	155	25	4.0	4.0	10	6,500 FM, UL	50 *
DM C12 2 100	105	3 1/2	M10 x 155 mm	173	25	4.0	4.0	10	6,500 FM, UL	40 *
DM C12 2 115	115	4	M10 x 170 mm	198	32	6.0	6.0	10	8,000 FM, UL	20 *
DM C12 2 140	140	5	M12 x 195 mm	232	32	6.0	6.0	12	8,000 FM, UL	15 *
DM C12 2 168	168	6	M12 x 225 mm	266	40	5.0	6.0	12	11,000 FM, UL	10 *
DM C12 2 219	219	8	M12 x 275 mm	338	40	5.0	6.0	12	11,000 FM, UL	15 *
DM C12 2 273	273	10	M16 x 360 mm	419	40	6.0	6.0	16	11,000 -	10
DM C12 2 323	323	12	M20 x 420 mm	490	50	6.0	10.0	20	15,000 -	6
DM C12 2 355	355	14	M20 x 455 mm	556	50	6.0	10.0	20	15,000 -	6
DM C12 2 406	406	16	M24 x 510 mm	610	65	6.0	12.0	24	17,500 -	3
DM C12 2 457	457	18	M24 x 555 mm	675	65	6.0	12.0	24	17,500 -	3
DM C12 2 508	508	20	M24 x 610 mm	715	75	10.0	12.0	30	22,000 -	2
DM C12 2 610	610	24	M24 x 710 mm	850	75	10.0	16.0	30	27,000 -	2
DM C12 2 755	755	30	M24 x 890 mm	995	75	10.0	20.0	30	30,000 -	1



Hot Dip Galvanized and Stainless Steel option available on request.
 The sizes of the Clevis Hangers can be modified to be used with Rubber Support Inserts.
 Custom made Clevis Hangers are available on request.
 * = Made in UAE.



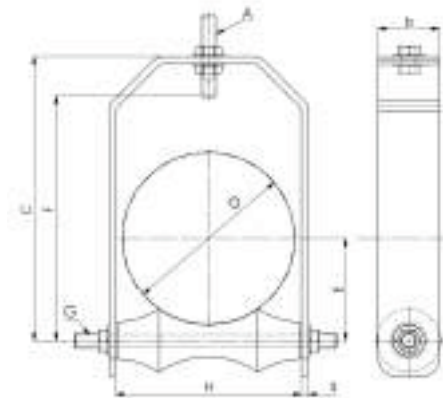
Adjustable Roller Hanger



Features and Benefits

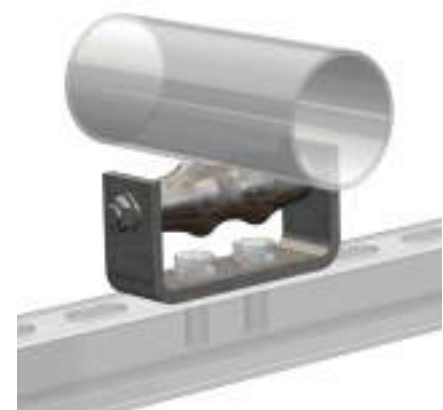
- for support of pipe where horizontal movement due to expansion and contraction may occur
- vertical adjustment up to 6" is possible
- Material
 - bracket : steel
 - roller : solid steel shaft
- electrogalvanized as per ASTM B 633 Standards (SC3), BS 1706 FE/ZN 12
- designed to meet MSS Standard SP-58-2002, type 43 and SP-69

Part No.	D (")	A	C (mm)	E (mm)	F (mm)	H (mm)	G	bxs (mm)	Fa,z (N)
DMC177 060	2	M10	122	41	56	64	M12	25 x 3.0	1600
DMC177 075	2 1/2	M12	148	50	124	92	M12	25 x 3.0	1600
DMC177 090	3	M12	161	58	137	94	M12	32 x 6.0	2100
DMC177 100	3 1/2	M12	180	65	153	110	M12	32 x 6.0	2100
DMC177 115	4	M12	192	69	162	122	M12	40 x 6.0	2900
DMC177 140	5	M12	233	88	202	152	M12	50 x 6.0	5500
DMC177 168	6	M18	260	102	227	180	M20	50 x 6.0	5500
DMC177 220	8	M22	326	131	283	230	M20	65 x 10.0	6000
DMC177 273	10	M22	381	161	339	285	M20	65 x 10.0	6000
DMC177 323	12	M22	440	192	400	335	M24	65 x 12.0	7500
DMC177 355	14	M24	478	212	433	372	M24	65 x 12.0	7500
DMC177 406	16	M24	524	233	460	421	M32	65 x 12.0	7500
DMC177 457	18	M24	590	267	550	474	M32	65 x 12.0	7500
DMC177 508	20	M32	664	300	605	522	M36	75 x 16.0	9000
DMC177 610	24	M32	788	351	718	630	M36	75 x 16.0	11100



Subject to modifications

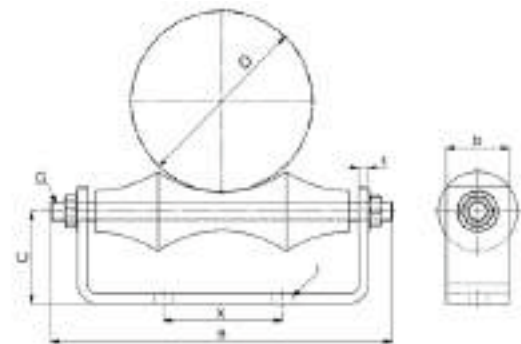
Pipe Roller Chair



Features and Benefits

- for support of pipe where horizontal movement due to expansion and contraction may occur
- Material
 - bracket : steel
 - roller : solid steel shaft
- electrogalvanized as per ASTM B 633 Standards (SC3), BS 1706 FE/ZN 12
- designed to meet BS3974-1 : 1974; MSS Standard SP-58-2002, type 44 and SP-69

Part No.	D (")	B (mm)	C (mm)	k (mm)	l (mm)	G	bxs (mm)	Fa,z (N)
DMC166 060	2	110	40	35	12	M12	32 x 6.0	6700
DMC166 075	2 1/2	110	40	35	12	M12	32 x 6.0	10000
DMC166 090	3	145	45	50	12	M12	32 x 6.0	13800
DMC166 100	3 1/2	145	45	50	12	M12	32 x 6.0	17300
DMC166 115	4	180	50	50	16	M12	40 x 8.0	21100
DMC166 140	5	215	55	75	16	M12	40 x 8.0	30400
DMC166 168	6	250	60	80	16	M20	50 x 10.0	34700
DMC166 220	8	285	75	85	19	M20	50 x 10.0	34700
DMC166 273	10	345	80	130	19	M20	50 x 12.0	42800
DMC166 323	12	395	105	140	19	M24	50 x 12.0	53400
DMC166 355	14	440	120	165	25	M24	50 x 12.0	53400
DMC166 406	16	480	140	210	25	M32	75 x 12.0	53400
DMC166 457	18	525	155	235	25	M32	75 x 12.0	62300
DMC166 508	20	555	165	260	25	M36	75 x 12.0	71100
DMC166 610	24	665	200	310	25	M50	100 x 16.0	71100
DMC166 660	26	720	220	335	25	M50	100 x 16.0	76000
DMC166 712	28	771	240	360	25	M50	100 x 16.0	76000
DMC166 762	30	822	260	385	25	M50	100 x 16.0	80000





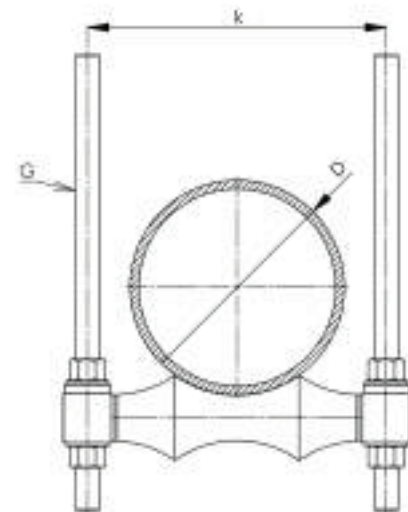
Pipe Roller



Features and Benefits

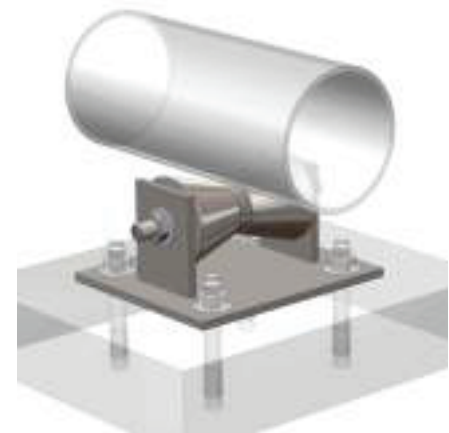
- for support of pipes to provide axial movement
- multiple pipe installations possible by using two rollers
- versatile design permits axial movement of pipe due to expansion and contraction
- standard installation would support a single pipe and design permits installation of two pipes in double banking arrangement. In such cases ensure that the total weight of the installation is less than the maximum load of the roller as mentioned in the table
- material
 - socket : steel
 - roller: solid steel shaft
- electrogalvanized as per ASTM B 633 Standards (SC3), BS 1706 FE/ZN 12
- designed to meet MSS Standard SP-58, type 41 and SP-69
- insulation protection products such as Rubber Support Inserts, Insulation Protection Shields and Pipe Covering Protection Saddles can be used with Pipe Rollers

Part No.	D (")	G	k (mm)	Fa,z (N)
DM C28 8 060	2	M12	125	3,500
DM C28 8 075	2½	M12	144	3,500
DM C28 8 090	3	M12	157	3,500
DM C28 8 100	3½	M12	169	3,500
DM C28 8 115	4	M12	187	5,000
DM C28 8 140	5	M12	226	5,000
DM C28 8 168	6	M20	273	5,000
DM C28 8 220	8	M20	309	12,500
DM C28 8 273	10	M20	362	12,500
DM C28 8 323	12	M24	420	15,000
DM C28 8 355	14	M24	470	15,000
DM C28 8 406	16	M32	510	35,000
DM C28 8 457	18	M32	551	35,000
DM C28 8 508	20	M36	591	35,000
DM C28 8 610	24	M36	670	50,000



Subject to modifications

Roller Stand



Features and Benefits

- for support of pipe where horizontal movement due to expansion and contraction may occur
- Material
 - bracket : steel
 - roller: solid steel shaft
- electrogalvanized as per ASTM B 633 Standards (SC3), BS 1706 FE/ZN 12
- designed to meet BS476-1 : 1974; MSS Standard SP-58, type 44 and SP-69

Part No.	D (")	L	B (mm)	B2 (mm)	h (mm)	d1 (mm)	k (mm)	k1 (mm)	Fa,z (N)
DMC277060100	2 / 2½ / 3 / 3½	135 mm	120	150	93	16	115	100	5,500
DMC277115168	4 / 5 / 6	135	160	150	152	16	115	100	13,000
DMC277219273	8 / 10	165	235	215	242	20	160	110	17,500
DMC277323355	12 / 14	200	300	275	302	20	220	145	35,000
DMC277406508	16 / 18 / 20	215	340	310	396	24	245	150	52,500
DMC277558609	22 / 24	240	390	340	455	24	265	165	65,000
DMC277660762	26 / 28 / 30	270	470	430	545	28	345	185	84,500
DM C27 7 914	30	300	540	500	635	28	415	215	105,000

